

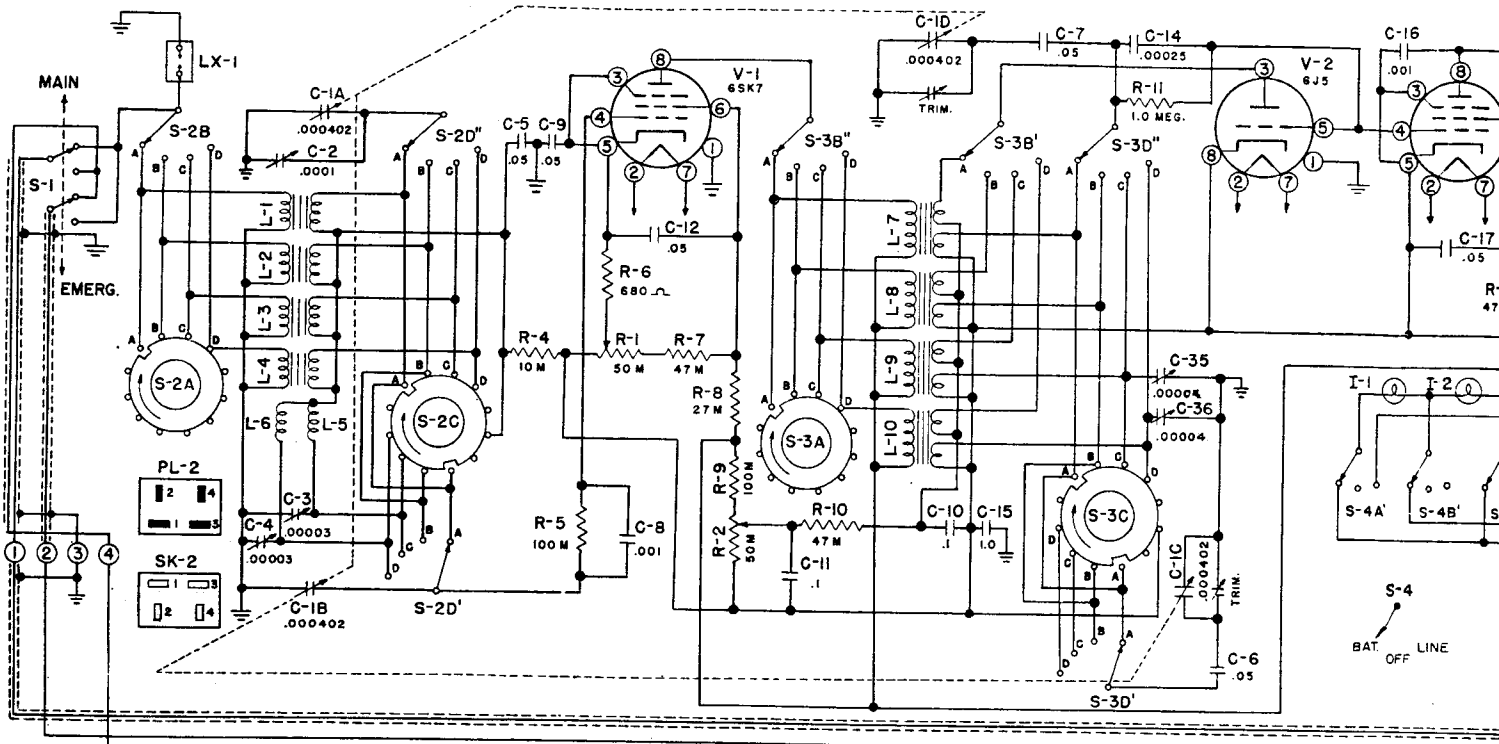
MACKAY RADIO & TELEGRAPH CO.  
MARINE DIVISION  
NEW YORK

SCHEMATIC DIAGRAM  
MARINE RADIO RECEIVER  
TYPE 3001-A

SCALE

APP'D *[Signature]* ENG. *[Signature]* DRAWN L.M.

M-1066-14 N



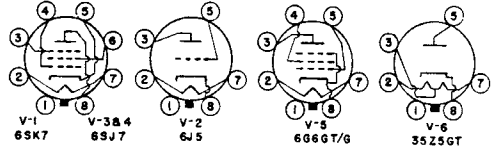
**NOTES:**

- 1. R-26: 0.0 Ω FOR 6 VOLTS OPERATION  
2.6 Ω FOR 12 VOLTS OPERATION  
8.0 Ω FOR 24 VOLTS OPERATION
- 2. R-22 IS A BALLAST TUBE

- 4. VALUES OF RESISTORS ARE SPECIFIED AS FOLLOWS:  
Ω = OHMS  
M = 1,000 OHMS  
MEG. = 1,000,000 OHMS

- 5. "PL" & "SK" DESIGNATE PLUG & SOCKET RESPECTIVELY. FRONT VIEWS OF EACH ARE SHOWN.

**6. BOTTOM VIEW OF TUBE BASES:**



- 7. FOR SWITCHES DESIGNATES THE KNOB E FACE, B THE DESIGNATE
- 8. S-2 & S-3
- 9. FOR SERVICE COMPULSORY WIRED AS S

**INSERT "A" (SEE NOTE 9)**

